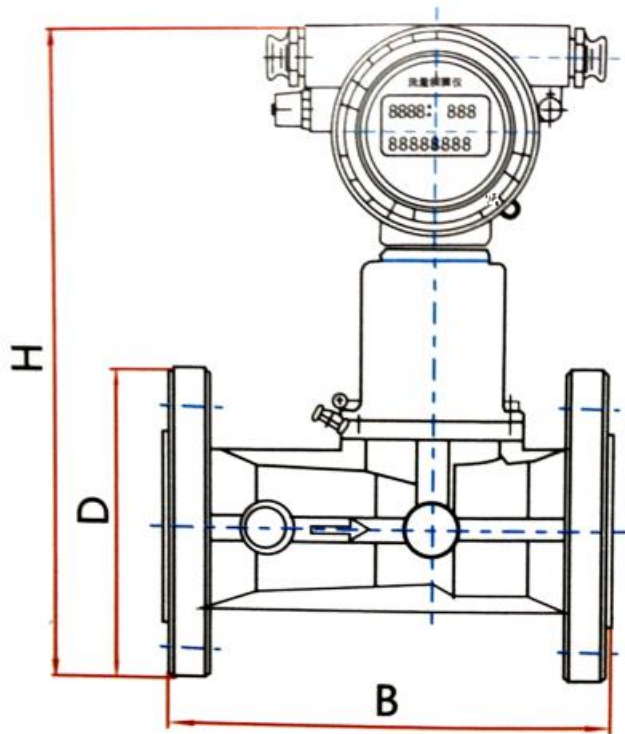
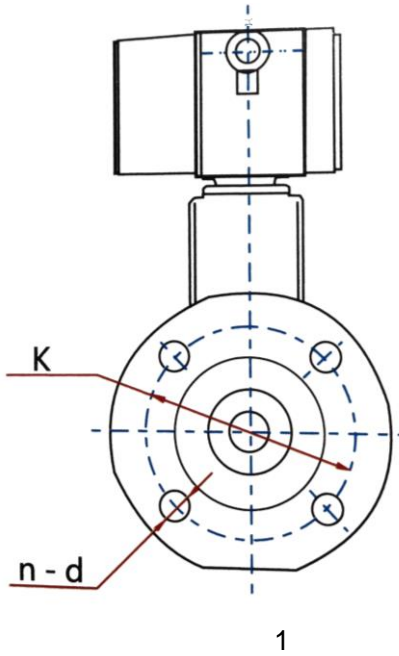




	WP <sub>3</sub>		4.0Mpa
	WP <sub>4</sub>		6.3Mpa
		P <sub>1</sub>	1.0
		P <sub>2</sub>	1.5

5.1

1-6



2

2

2

2

3

## 5.2

(mm)	B	1.6Mpa				2.5Mpa				4.0Mpa			
		H	D	K	n-d	H	D	K	n-d	H	D	K	n-d
<b>DN20</b>	160	310	105	75	4- 14	310	105	75	4- 14	310	105	75	4- 14
<b>DN25</b>	180	315	115	85	4- 14	315	115	85	4- 14	315	115	85	4- 14
<b>DN32</b>	200	330	140	100	4- 18	330	140	100	4- 18	330	140	100	4- 18
<b>DN50</b>	232	345	165	125	4- 18	345	165	125	4- 18	345	165	125	4- 18
<b>DN80</b>	330	370	200	160	8- 18	370	200	160	8- 18	370	200	160	8- 18
<b>DN100</b>	410	390	220	180	8- 18	400	235	190	8- 18	400	235	190	8- 22
<b>DN150</b>	580	450	285	240	8- 22	465	300	250	8- 26	465	300	250	8- 26
<b>DN200</b>	700	500	340	295	12- 22	520	360	310	12- 26	535	375	320	12- 30

1 GB/T9119-2000

JB/82.1—94

2 6.3Mpa GB/T9115.2-2000

6.3Mpa JB/82.2—94